

# Carton Optical CN Series



## PROFESSIONAL & ADVANCED EDUCATIONAL MICROSCOPE

This high performance small footprint microscope is designed for those who require superior optical performance in a smaller size with the ability to upgrade as needs change. From bright field to dark field to phase contrast, the CN is well suited for a wide variety of applications in Advanced Education, Medical and Veterinary Diagnostic Medicine.



Trinocular CNT-PH

### **Features:**

The CN series has full size features in a small package. Its twin diopter Seidentopf head slides horizontally to provide a wide interpupillary range. The precision co-axial focus has a large low drive, research grade mechanical stage with room for two slides.

The reverse facing nosepiece protects the objectives and provides clear access to the stage.

### **Illumination:**

The CN is equipped with the latest high power LED lighting system that renders a more uniform output at any level with a much higher color temperature beam, while producing little or no heat.

### **Optical System:**

The CN is equipped with high resolution Semi Plan, objectives. Every objective and also the condenser is sealed to protect against oil immersion contamination. Objectives can be upgraded to research grade Plan Achromats.

### **Upgradeable:**

Designed for upward mobility, the CN can be equipped with phase contrast & polarization.



## Features At A Glance

- Big features in a small footprint
- W10X 20mm eyepieces standard
- High Performance objectives from Semi Plan to research grade Plan Achromats
- Sealed 40x & Condenser
- Multi Discipline System: Bright field, Dark field, and Phase Contrast
- All metal gearing
- FDA approved synthetic lubricant
- High performance 3 watt LED illumination
- Cool white light at 6000° Kelvin
- Long life LED bulb
- CSA Approved
- Lifetime Warranty

“Brilliant Ideas Brought to Life!”

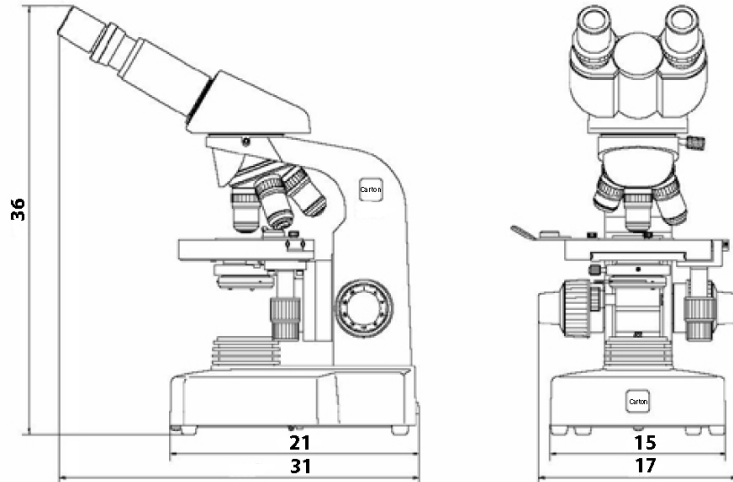
# Carton Optical

## CN Series

### Specifications



CN-SP



LENGTH	WIDTH	HEIGHT	WEIGHT
21 cm	15 cm	36 cm	4.5 kg

MODEL	HEAD	EYEPIECE	OBJECTIVES	CONDENSER	ILLUMINATOR
CN-SP	Binocular-Seidentopf	W10XD 20 mm	4XD, 10XD, 40XRD (sealed) 100SRD Semi-Plan	Abbe 1.25 NA (sealed) Rack & Pinion	LED w/ Dimmer Switch
CNT-SP	Trinocular-Seidentopf	W10XD 20 mm	4XD, 10XD, 40XRD (sealed) 100SRD Semi-Plan	Abbe 1.25 NA (sealed) Rack & Pinion	LED w/ Dimmer Switch

### Accessories for CN Series:

#### DARK FIELD - PHASE CONTRAST - POLARIZATION

- CNA576 Dark Field Condenser
- CNA578 Seidentopf trinocular head w/ Ø23.2mm port
- CNA550 Phase Kit - 4x, 10xP, 40xP, 100xP, BF/DF Carousel, Green Filter
- CNA475 Polarization Kit Includes: Polarizer & Analyser

#### DIGITAL CAMERA OPTIONS

- IS500 5MP 1/2" USB, C-Mount, Driver & Cables Included
- IS1000 10MP 1/2" USB, C-Mount, Driver & Cables Included

#### SINGLE OBJECTIVES

- CNA521 4X Semi-PLAN
- CNA522 10X Semi-PLAN
- CNA523 40XR Semi-PLAN
- CNA524 100XR (Sealed) Semi-PLAN

#### Lifetime Warranty:

All Carton Optical microscopes have a lifetime warranty against defects in material and workmanship. This warranty is conditional and claims are subject to review by Carton Optical Canada. Damage resulting from repair by unauthorized parties or damage deemed to be from accident, alteration, misuse, abuse or act of God is not covered. Warranty claims can only be authorized by Carton Optical technicians and will be repaired free of charge when returned postage paid to:  
Valley Microscope 6568 Des Merles Lane,  
Ottawa Ontario Canada K1C 7G9

#### Design Changes:

Carton Optical reserves the right to make changes in instrument design in accordance with changes in technology without notice.



### Carton Optical Canada Inc.

6568 Des Merles Lane  
Ottawa Ontario Canada K1C 7G9  
TEL: (800) 530-9425 FAX: (866) 429-8748  
E-mail: info@carton.ca  
http://www.carton.ca